



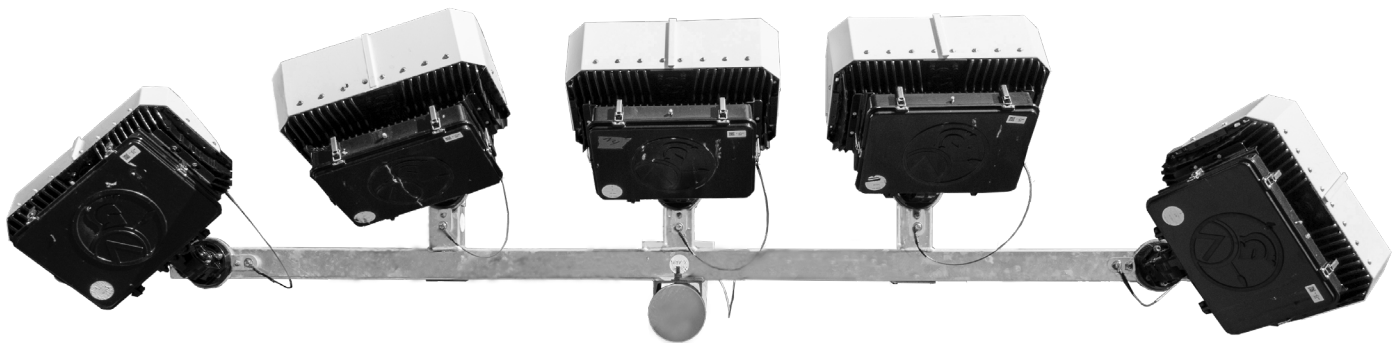
# SPARTAN SPORTS LIGHTING

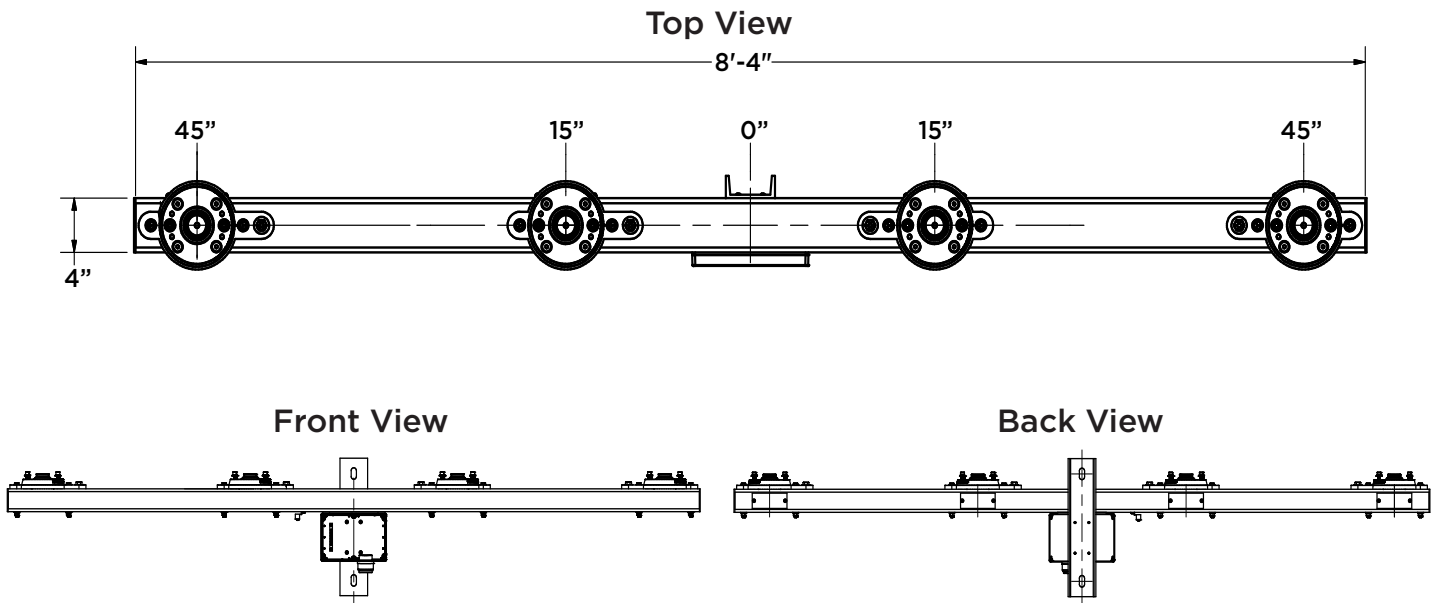
## CROSS ARM

Holding the Spartan Sports Lighting Assembly together, the structural cross arm has been designed as an entirely internal, pre-wired system, utilizing galvanized steel tubing and an easy to access quick disconnect enclosure, to reduce installation time.

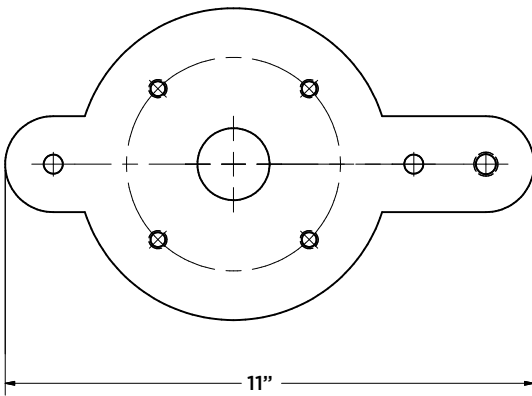
## PRODUCT FEATURES

- Available in configurations between 2 and 6 lights
- Entirely internal wiring to increase system longevity
- Manufactured with galvanized steel tubing
- Pre-wired with quick disconnects to reduce installation time

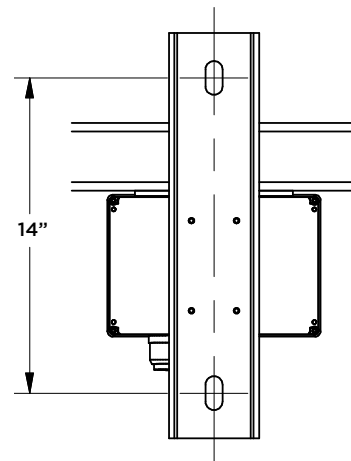




MOUNTING DETAILS

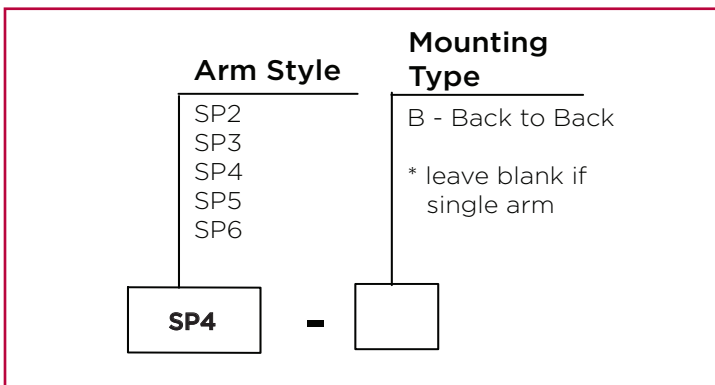


Mounting Plate Details



Channel Mount Details

HOW TO ORDER

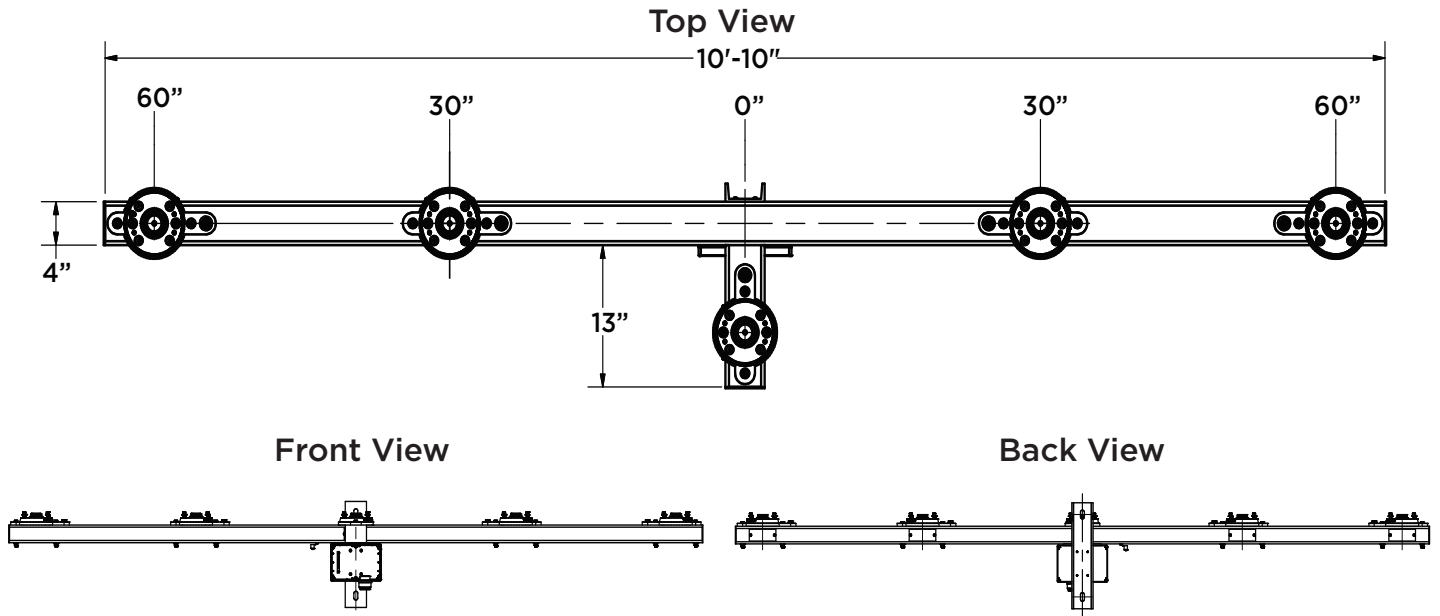


TECHNICAL DATA

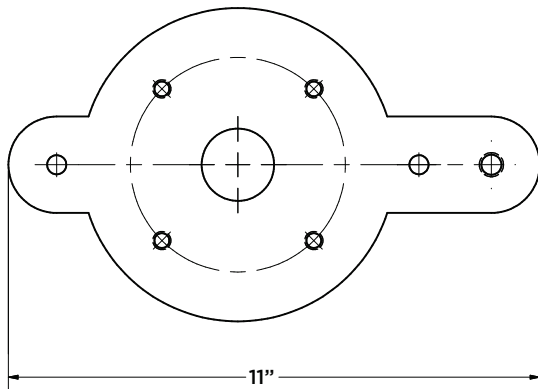
Catalog Number	# of Lights	EPA (sq. ft.)	Wt. (lbs)
SP2	2	2.89	68
SP4	4	4.81	110
SP6	6	6.94	165

# PRODUCT DIMENSIONS

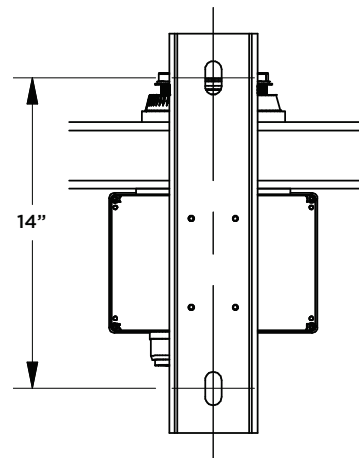
CROSS ARM // SP5



# MOUNTING DETAILS

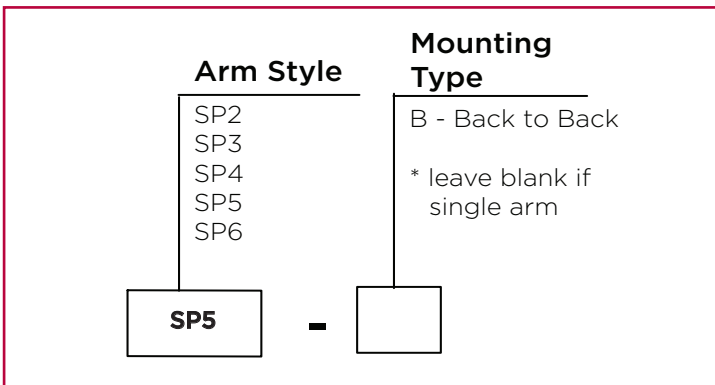


Mounting Plate Details



Channel Mount Details

# HOW TO ORDER



# TECHNICAL DATA

Catalog Number	# of Lights	EPA (sq. ft.)	Wt. (lbs)
SP3	3	3.89	95
SP5	5	6.01	165