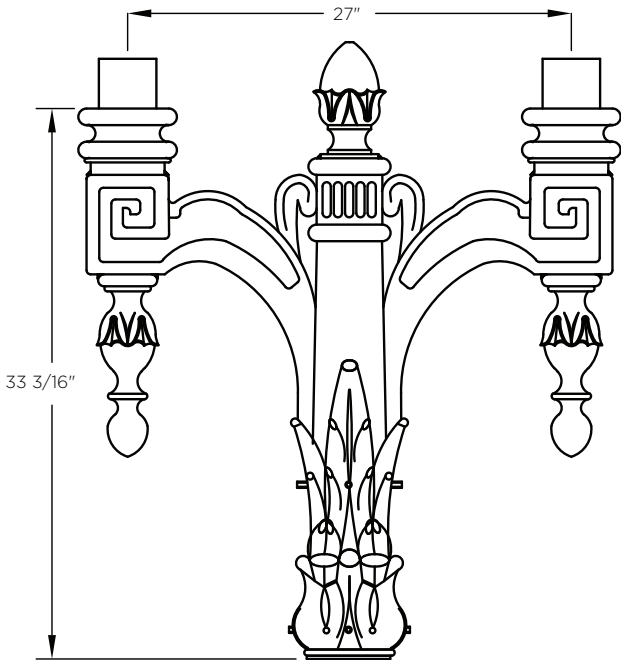


KA63 // THE COSHOCTON

DECORATIVE ARM



The King Luminaire KA63 Arm is an eye catching design with exceptional detail. This arm is available in single or double arm configurations. The KA63 offers a stand-out solution with historical style.

ARM SPECIFICATIONS

MATERIAL:
Aluminum

MOUNTING TYPE:
Tenon

ARM QUANTITY:
Single
Double

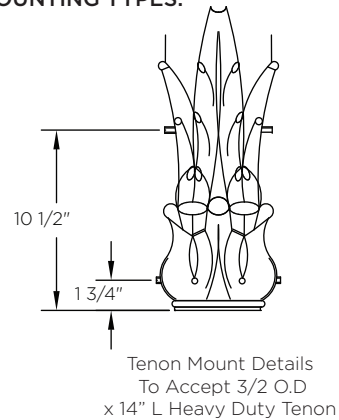
ARM LENGTH:
Fixed Length:

FINISH:
Available in textured or smooth.

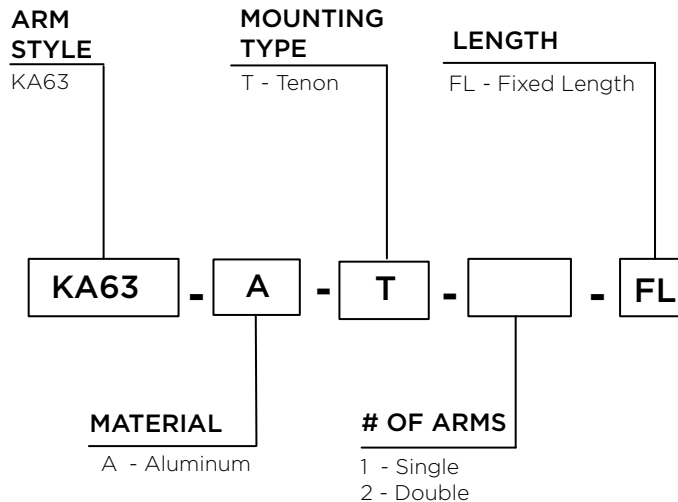
EPA
1.23 - 1.56 sq. ft.

WEIGHT
23 - 46 lbs

MOUNTING TYPES:



HOW TO ORDER



EPA & WEIGHT

Catalog Number	Mount Type	# of Arms	L. (in)	EPA (sq ft)	Wt. (lbs)
KA63-A-T-1-FL	Tenon	1	N/A	1.23	23
KA63-A-T-2-FL	Tenon	2	27"	1.56	46

