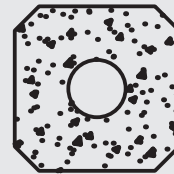


SQUARE

tapered

The square cross section of this pole comes with chamfered corners. It is available as an arterial lighting pole up to 45' in overall length. All decor colors and finishes are available as well as our economical mold finish in light gray.



How to Catalog for Square Tapered Pole

Mounting Option

E - Direct Embedment
P - Base Plate

Prestressed

Class A-C

Tapered Square Cross Section

E 300 B P T G

Height

Overall Pole Length x 10
5' - 45'

Provision for Electric Ground

Finish

E - Etched Finish
S - Polished Finish

E 10

Color**

10 - Midnight Lace
11 - Eclipse Black
30 - Salt & Pepper
40 - Pearl Gray
90 - Satuki bronze

Complete with (To be supplied by StressCrete)

C/W 140 30/30

Tenon (Post Top Mount)

Specify Tenon Size
For example 140 30/30 = 2 7/8" OD & 3" long

Arms* (Pendant Mount)

100 - Top Mounted Tapered Elliptical Aluminum Arm
120 - Side Mounted Elliptical Aluminum Arm
130 - Shoe Box Arm
170 - Victorian Scroll Arm

100 GFI NA

Options*

DR - 2 Outlets
GFI - Ground Fault 2 Outlet
SR - 1 Outlet
LRN - Ladder Rest
BPC - Base Plate Cover
AB - Anchor Bolts
BA - Banner Arms
FH - Flag Holders

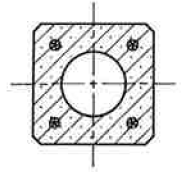
Coating

NA - Non Acrylic
A - Acrylic
AG - Anti Graffiti Coating***

* Consult website for full listings ** See decor colors on page 2 for full selection of colors
***Anti Graffiti Coating is extra, consult factory for more details.

Tapered Square, Class A - Light Duty Poles

Tapered Square, Class A - Light Duty Poles



Physical Details:

- Square, with 1" chamfered corners, tapered shaft.
- 4.75" flat to flat pole tip.
- 0.125" per linear ft. taper increase.
- 600 lb. transverse bending strength (2 ft. from tip).
- Mold finish is standard but optional etched or polished finish and Decor colors are available.
- For various luminaire mounting details, please reference arms and accessories.

Direct Embedment

Pole Catalog Number	Pole Height Above Grade	Assumed Embedment Depth*	Overall Pole Length	Pole Butt Flat to Flat (Inches)	Ultimate Ground-Line Moment (ft. lbs.**)	Nominal Weight (lbs.)
E-150-APT-G	11' 0"	4' 0"	15' 0"	6.63	5400	480
E-175-APT-G	13' 6"	4' 0"	17' 6"	6.94	6500	590
E-200-APT-G	16' 0"	4' 0"	20' 0"	7.25	8400	700
E-225-APT-G	18' 6"	4' 0"	22' 6"	7.56	9900	825
E-250-APT-G	20' 0"	5' 0"	25' 0"	7.88	10800	980
E-275-APT-G	22' 6"	5' 0"	27' 6"	8.19	12300	1120
E-300-APT-G	25' 0"	5' 0"	30' 0"	8.50	13800	1275
E-325-APT-G	27' 0"	5' 6"	32' 6"	8.82	15000	1460
E-350-APT-G	29' 6"	5' 6"	35' 0"	9.13	16500	1620
E-375-APT-G	32' 0"	5' 6"	37' 6"	9.44	18000	1815
E-400-APT-G	34' 0"	6' 0"	40' 0"	9.75	19200	2005

Base Plate

Pole Catalog Number	Pole Height Above Grade	Pole Butt Flat to Flat (Inches)	Base Plate Size (Inches)	Bolt Circle*** (Inches)	Ultimate Ground-Line Moment (ft. lbs.**)	Nominal Weight (lbs.)
P-150-APT-G	15' 0"	6.63	11.5 x 11.5	11.5	7800	515
P-175-APT-G	17' 6"	6.94	11.5 x 11.5	11.5	9300	630
P-200-APT-G	20' 0"	7.25	11.5 x 11.5	11.5	10800	745
P-225-APT-G	22' 6"	7.56	14.5 x 14.5	17	12300	905
P-250-APT-G	25' 0"	7.88	14.5 x 14.5	17	13800	1060
P-275-APT-G	27' 6"	8.19	14.5 x 14.5	17	15300	1200
P-300-APT-G	30' 0"	8.50	14.5 x 14.5	17	16800	1350
P-325-APT-G	32' 6"	8.82	14.5 x 14.5	17	18300	1540
P-350-APT-G	35' 0"	9.13	14.5 x 14.5	17	19800	1715

* Recommended burial depth for normal soils. Where large imbalanced loads are applied or soil strengths are questionable, deeper burial may be necessary.

** Ultimate Ground Line Moment = Height above grade minus 2 ft x transverse bending strength.

*** Anchor bolt information - 11.5" BC uses 3/4" x 27" anchor bolt. 17" BC uses 1" x 36" anchor bolt.

Class - EPA Loading

	Pole Height Above Grade	Post Top & Bal. Loads	Imbalanced Loads		
			4' arm	6' arm	8' arm
90 mph	20	14 1/2	12 3/4	11 1/2	10
	25	12 1/4	10 2/3	10	8 3/4
	30	9 3/4	8 3/4	8	7
	35	7 1/2	6 1/2	5 3/4	5
100 mph	20	10 1/2	9 1/4	8 1/4	7
	25	8 1/2	7 1/4	6 1/2	5 1/2
	30	6 1/4	5 1/4	4 3/4	3 3/4
	35	6 3/4	3	2 1/2	2
110 mph	20	7 3/4	6 3/4	5 3/4	4 3/4
	25	3 3/4	4 3/4	4 1/4	3 1/4
	30	3 1/2	2 3/4	2 1/4	1 1/2
	35	1 1/4	1/2	1/4	---
120 mph	20	4 1/2	4 3/4	4	3
	25	3 1/2	2 3/4	2 1/4	1 1/2
	30	1 1/2	3/4	1/2	---
	35	---	---	---	---
130 mph	20	4	3 1/4	2 1/2	1 3/4
	25	2	1 1/4	3/4	1/4
	30	---	---	---	---
	35	---	---	---	---
140 mph	20	2 1/2	2	1 1/2	3/4
	25	3/4	---	---	---
	30	---	---	---	---
	35	---	---	---	---
150 mph	20	1 1/2	1	1/2	---
	25	---	---	---	---
	30	---	---	---	---
	35	---	---	---	---

Decor Colors & Finishes

Color / Finish	Eclipse (Black)	Ash White	Pearl Gray	Dusty Rose	Aztec Jade (Green)	Desert Sand (Buff)	Saluki Bronze (Brown)
Etched Finish	E11	E35	E40	E41	E51	E70	E90
Polished Finish	S11	S35	S40	S41	S51	S70	S90

Mold finish, catalog #M00, is standard on all poles. Decor colors and finishes must be specified. A clear acrylic coating is standard on all Decor poles.

When selecting a pole strength class, care must be taken to ensure it will carry the desired EPA loading of arm and luminaire for the wind conditions at your location. If you are unsure of your location's wind condition, please reference Isotach Map in General and Technical section.



Streetlighting Arms and Accessories

Spun concrete poles can be adapted to fit most arms or accessories. Our standards are detailed in the "Arms and Accessories" section of this catalog. If a specific item is not shown, please call your local representative or our sales office.

When requesting StressCrete to supply arms, please ensure compatibility with luminaire.

Finishes

Mold finish is standard on all poles. If a Decor or custom finish is desired it must be specified in the pole catalog number. Please see lower right front page for information, or turn to Decor section.

Standard Openings and Handholes

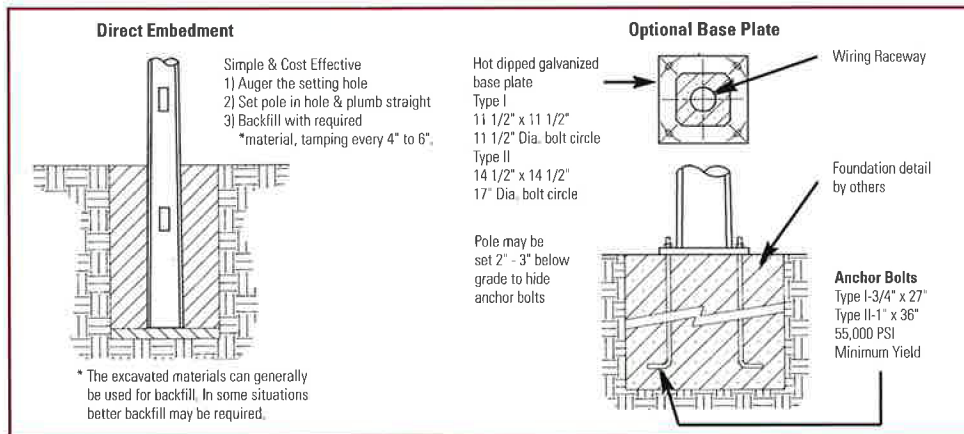
(For more detailed information, please reference General and Technical section.)

- 2 1/2" x 8" is the standard handhole box located 18" above grade. Both it and the tight fitting coverplate are available in a rugged high density cast zinc.
- Standard coverplate fasteners are 1/4" stainless steel with either Allen (hex) head for the United States or black Robertson #3 (square) head in Canada. Tamperproof and non-standard fasteners are available but must be specified.
- Standard above grade wiring apertures vary with arm selection but are generally 1 1/4" diameter holes or 1 1/2" x 3" openings. Below grade apertures are 2 1/2" x 5" double openings 18" below grade in line with handhole.
- Non-standard sizes can be made available on request; please contact our sales office.
- Galvanized steel or zinc inserts are available in 1/8" increments from 1/4" through 3/4".
- Through holes are nominal 1/2", 3/4", or 1".

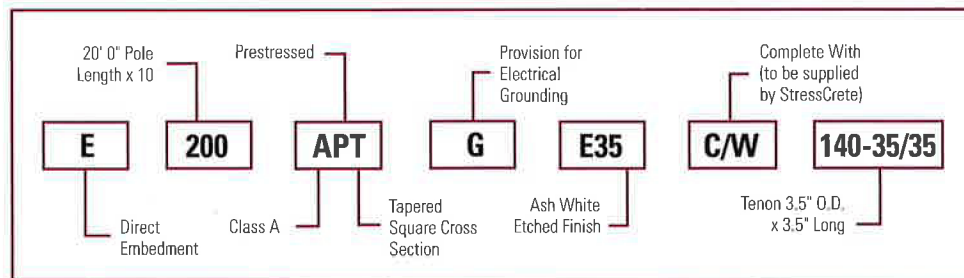
Electrical Grounding

The last letter of our pole catalog number "G" specifies that the pole will be supplied complete with a #6 stranded copper ground wire. When properly connected, this will electrically ground the pole. If the pole is not to be electrically grounded, simply delete the letter "G" from the catalog number.

Footings

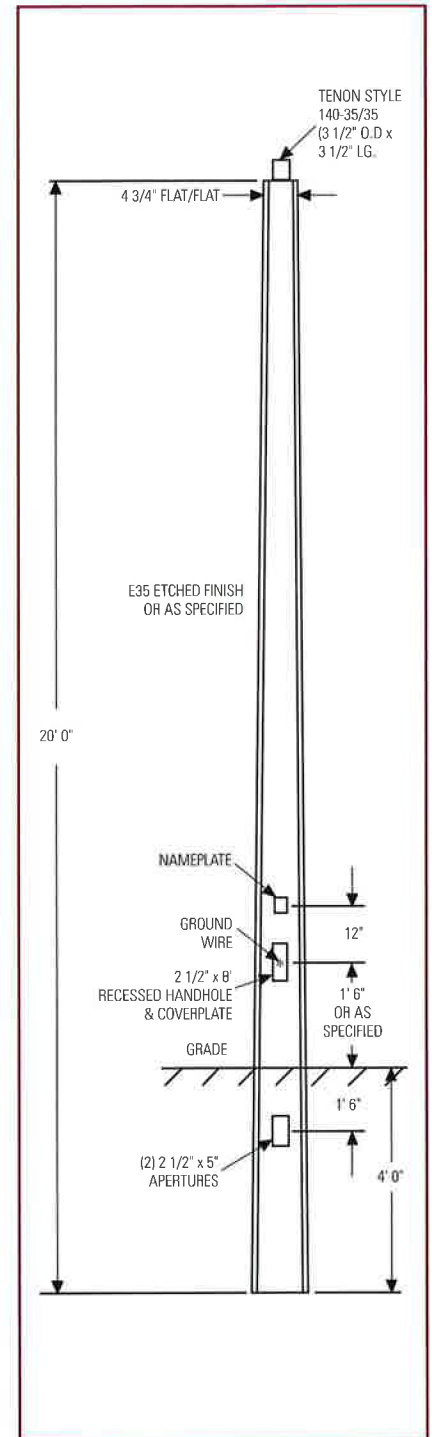


Typical Catalog Numbers



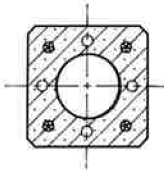
Typical for all types:

1. Select footing type - direct embedment or base plate.
2. Select pole length - if direct embedded allow for embedment length.
3. Select shape and strength of pole.
4. If required, select provision for electrical grounding of pole.
5. If desired, select Decor color and finish.
6. Select luminaire mounting style - see arms and accessories.



Tapered Square, Class B - Medium Duty Poles

Tapered Square, Class B - Medium Duty Poles



Physical Details:

- Square, with 1" chamfered corners, tapered shaft.
- 4.75" flat to flat pole tip.
- 0.125" per linear ft. taper increase.
- 900 lb. transverse bending strength (2 ft. from tip).
- Mold finish is standard but optional etched or polished finish and Decor colors are available.
- For various luminaire mounting details, please reference arms and accessories.

Direct Embedment

Pole Catalog Number	Pole Height Above Grade	Assumed Embedment Depth*	Overall Pole Length	Pole Butt Flat to Flat (Inches)	Ultimate Ground-Line Moment (ft. lbs.**)	Nominal Weight (lbs.)
E-250-BPT-G	20' 0"	5' 0"	25' 0"	7.88	16200	1030
E-275-BPT-G	22' 6"	5' 0"	27' 6"	8.19	18450	1180
E-300-BPT-G	25' 0"	5' 0"	30' 0"	8.50	20700	1340
E-325-BPT-G	27' 0"	5' 6"	32' 6"	8.82	22500	1510
E-350-BPT-G	29' 6"	5' 6"	35' 0"	9.13	24750	1690
E-375-BPT-G	32' 0"	5' 6"	37' 6"	9.44	27000	1880
E-400-BPT-G	34' 0"	6' 0"	40' 0"	9.75	28800	2120
E-425-BPT-G	36' 6"	6' 0"	42' 6"	10.06	31050	2345
E-450-BPT-G	39' 0"	6' 0"	45' 0"	10.38	33300	2580

Base Plate

Pole Catalog Number	Pole Height Above Grade	Pole Butt Flat to Flat (Inches)	Base Plate Size (Inches)	Bolt Circle*** (Inches)	Ultimate Ground-Line Moment (ft. lbs.**)	Nominal Weight (lbs.)
P-250-BPT-G	25' 0"	7.88	14.5 x 14.5	17	20700	1105
P-275-BPT-G	27' 6"	8.19	14.5 x 14.5	17	22950	1260
P-300-BPT-G	30' 0"	8.50	14.5 x 14.5	17	25200	1420
P-325-BPT-G	32' 6"	8.82	14.5 x 14.5	17	27450	1590
P-350-BPT-G	35' 0"	9.13	14.5 x 14.5	17	29700	1770
P-375-BPT-G	37' 6"	9.44	14.5 x 14.5	17	31950	1955
P-400-BPT-G	40' 0"	9.76	14.5 x 14.5	17	34200	2210

* Recommended burial depth for normal soils. Where large imbalanced loads are applied or soil strengths are questionable, deeper burial may be necessary.

** Ultimate Ground Line Moment = Height above grade minus 2 ft x transverse bending strength.

*** Anchor bolt information - 17" BC uses 1" Dia. anchor bolt.

Class - EPA Loading

	Pole Height Above Grade	Post Top & Bal. Loads	Imbalanced Loads		
			4' arm	6' arm	8' arm
90 mph	20	24 1/2	22 3/4	21 1/2	20
	25	22	20 3/4	19 3/4	18 1/2
	30	19 1/2	18 1/4	17 1/2	16 1/2
	35	16 3/4	15 3/4	15 1/4	14 1/4
	40	14	13 1/4	12 3/4	12
100 mph	20	18 3/4	17 1/2	16 1/2	15 1/4
	25	16 1/2	15 1/4	14 1/2	13 1/2
	30	14	13	12 1/2	11 3/4
	35	11 1/2	10 3/4	10 1/4	9 1/2
	40	9	8 1/4	7 3/4	7 1/4
110 mph	20	14 1/2	13 1/2	12 1/2	11 1/2
	25	12 1/4	11 1/4	10 3/4	10
	30	10	9 1/4	8 3/4	8
	35	7 1/2	6 7/8	6 1/2	5 3/4
	40	5	4 1/2	4	3 1/2
120 mph	20	11 1/4	10 1/4	9 3/4	8 3/4
	25	9	8 1/4	7 3/4	7 1/4
	30	6 3/4	6 1/4	5 3/4	5 1/4
	35	4 1/2	4	3 1/2	3
	40	2	1 1/2	1 1/4	3/4
130 mph	20	8 3/4	8	7 1/2	6 1/2
	25	6 3/4	6	5 1/2	5
	30	4 1/2	4	3 1/2	3
	35	2 1/4	1 3/4	1 1/4	1
	40	---	---	---	---
140 mph	20	6 3/4	6	5 1/2	5
	25	4 3/4	4 1/4	3 3/4	3 1/4
	30	2 1/2	2	1 3/4	1 1/4
	35	1/4	---	---	---
	40	---	---	---	---
150 mph	20	5 1/4	4 1/2	4	3 1/2
	25	3 1/4	2 3/4	2 1/4	2
	30	1	1/2	1/4	---
	35	---	---	---	---
	40	---	---	---	---

Decor Colors & Finishes

Color / Finish	Eclipse (Black)	Ash White	Pearl Gray	Dusty Rose	Aztec Jade (Green)	Desert Sand (Buff)	Saluki Bronze (Brown)
Etched Finish	E11	E35	E40	E41	E51	E70	E90
Polished Finish	S11	S35	S40	S41	S51	S70	S90

Mold finish, catalog #M00, is standard on all poles. Decor colors and finishes must be specified. A clear acrylic coating is standard on all Decor poles.

When selecting a pole strength class, care must be taken to ensure it will carry the desired EPA loading of arm and luminaire for the wind conditions at your location. If you are unsure of your location's wind condition, please reference Isotach Map in General and Technical section.



Streetlighting Arms and Accessories

Spun concrete poles can be adapted to fit most arms or accessories. Our standards are detailed in the "Arms and Accessories" section of this catalogue. If a specific item is not shown, please call your local representative or our sales office.

When requesting StressCrete to supply arms, please ensure compatibility with luminaire.

Finishes

Mold finish is standard on all poles. If a Decor or custom finish is desired it must be specified in the pole catalogue number. Please see lower right front page for information, or turn to Decor section.

Standard Openings and Handholes

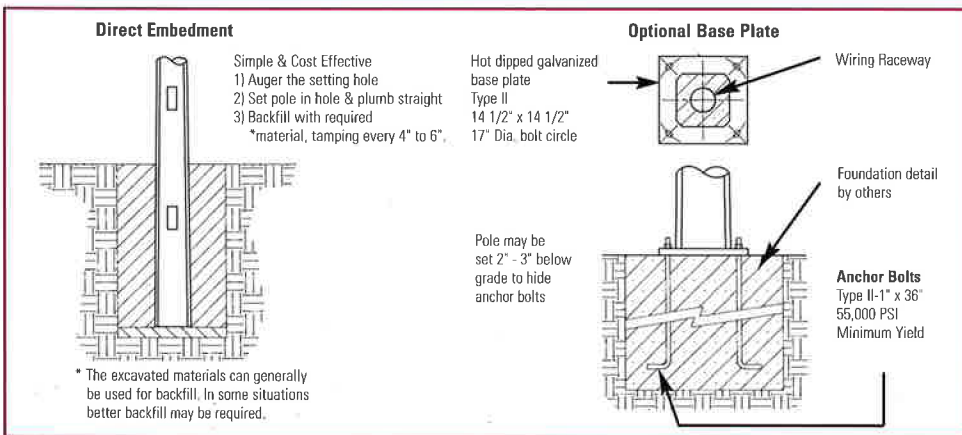
(For more detailed information, please reference General and Technical section.)

- 2 1/2" x 8" is the standard handhole box located 18" above grade. Both it and the tight fitting coverplate are available in a rugged high density cast zinc.
- Standard coverplate fasteners are 1/4" stainless steel with either Allen (hex) head for the United States or black Robertson #3 (square) head in Canada. Tamperproof and non-standard fasteners are available but must be specified.
- Standard above grade wiring apertures vary with arm selection but are generally 1 1/4" diameter holes or 1 1/2" x 3" openings. Below grade apertures are 2 1/2" x 5" double openings 18" below grade in line with handhole.
- Non-standard sizes can be made available on request; please contact our sales office.
- Galvanized steel or zinc inserts are available in 1/8" increments from 1/4" through 3/4".
- Through holes are nominal 1/2", 3/4", or 1".

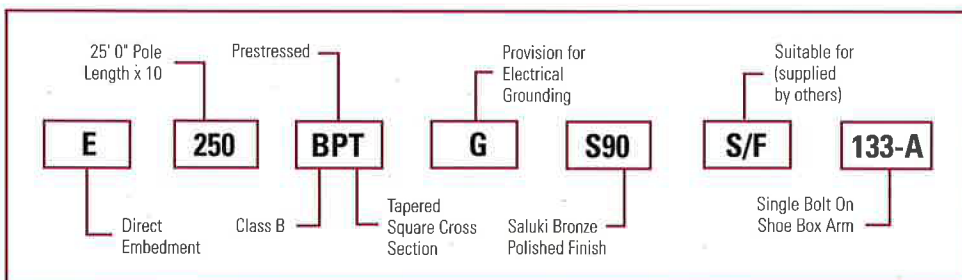
Electrical Grounding

The last letter of our pole catalogue number "G" specifies that the pole will be supplied complete with a #6 stranded copper ground wire. When properly connected, this will electrically ground the pole. If the pole is not to be electrically grounded, simply delete the letter "G" from the catalogue number.

Footings



Typical Catalogue Numbers



Typical for all types:

1. Select footing type - direct embedment or base plate.
2. Select pole length - if direct embedded allow for embedment length.
3. Select shape and strength of pole.
4. If required, select provision for electrical grounding of pole.
5. If desired, select Decor color and finish.
6. Select luminaire mounting style - see arms and accessories.

