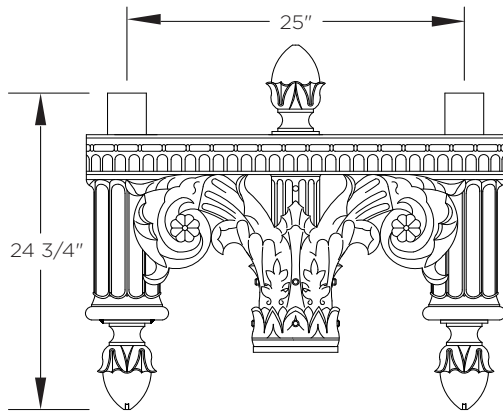


KA66 // THE JACKSONVILLE ARM

DECORATIVE ARM



The King Luminaire KA66 Arm is a striking fabricated arm with exceptional detailing. Available in a tenon mount twin arm configuration, the KA66 is a prominent solution with historical style.

ARM SPECIFICATIONS

MATERIAL:
Aluminum

MOUNTING TYPE:
Tenon

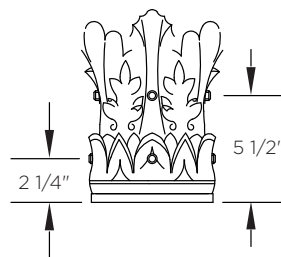
Arm Dimensions
25"L x 24 3/4"

FINISH:
Available in textured or smooth.

EPA
3.57

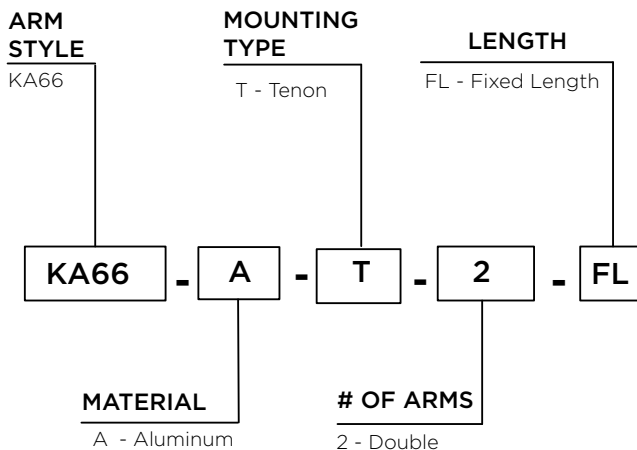
WEIGHT
57 lbs

MOUNTING DETAILS:



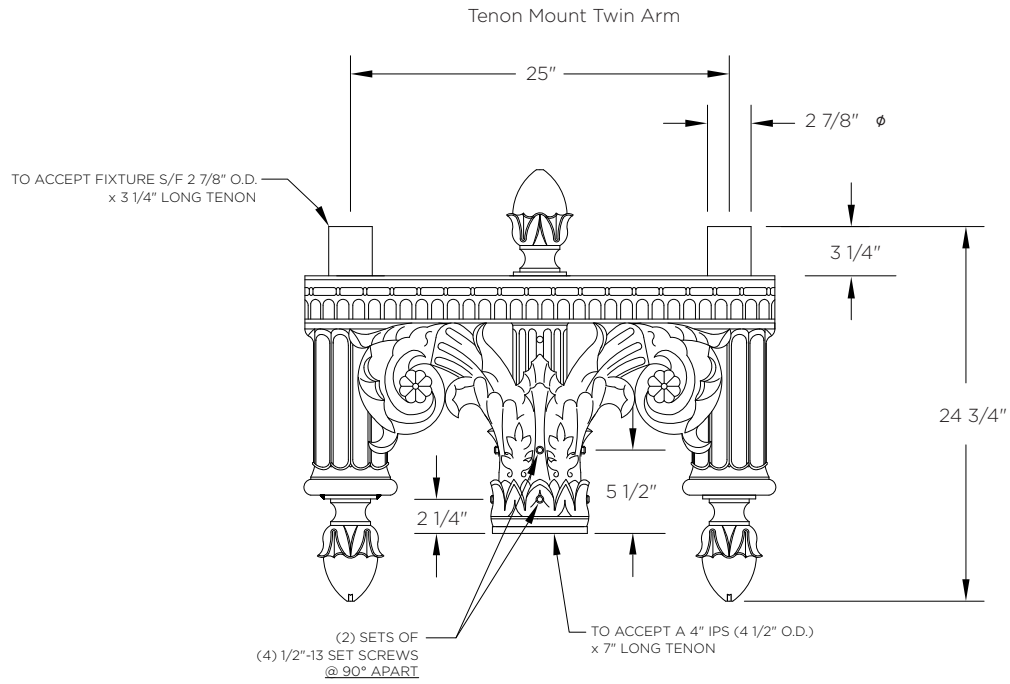
Tenon Mount Details
TO ACCEPT 4 1/2" DIAMETER
X 7"L TENON

HOW TO ORDER



EPA & WEIGHT

Catalog Number	Mount Type	# of Arms	L. (in)	EPA (sq ft)	Wt. (lbs)
KA66-A-T-2-FL	Tenon	2	12.5	3.57	57



Tenon Mounting Details

