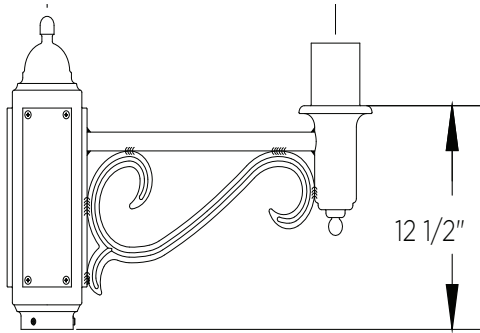


KA43 // WESTPOINT ARM

DECORATIVE ARM



The King Luminaire KA43 Westpoint Arm is a simple a unique design with curved scroll details. This aluminum arm is available in a variety of lengths in a single and double side mount arm configuration. The KA43 provides a historical touch for any streetlighting situation.

ARM SPECIFICATIONS

MATERIAL:
Aluminum

MOUNTING TYPE:
Tenon

ARM QUANTITY:
Single
Double

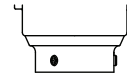
ARM LENGTH:
Fixed Length

FINISH:
Available in textured or smooth.

EPA
1.57 - 2.18 sq. ft.

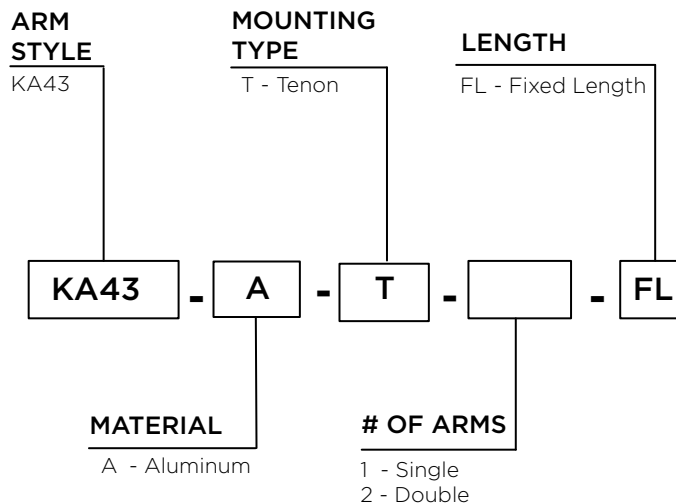
WEIGHT
17.1 - 22.5 lbs

MOUNTING TYPES:



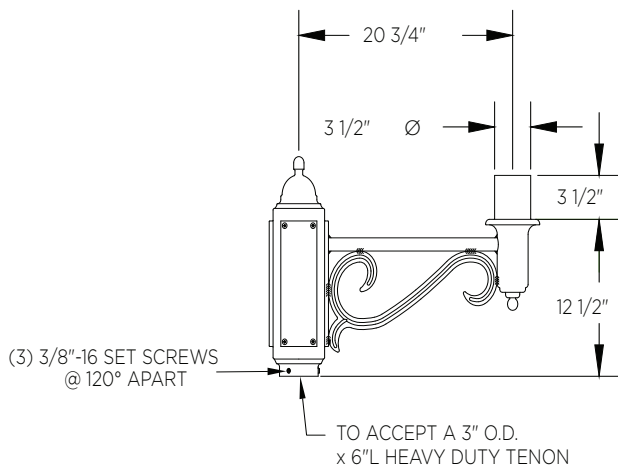
Tenon Mount Details
To Accept 3" O.D
x 6" L Heavy Duty Tenon

HOW TO ORDER

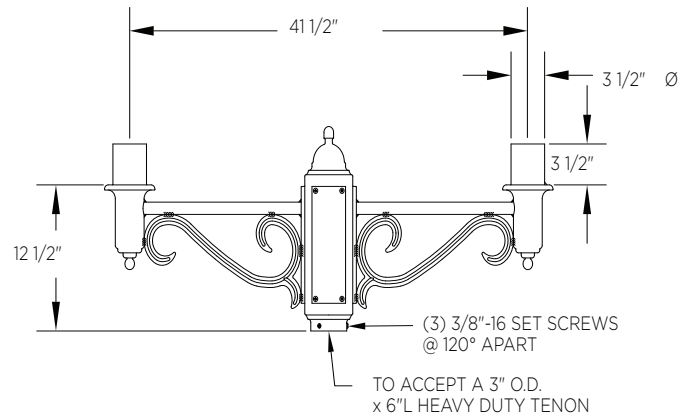


EPA & WEIGHT

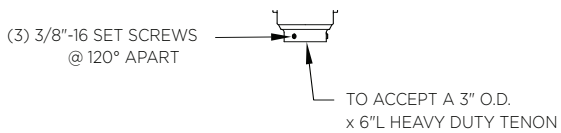
Catalog Number	Mount Type	# of Arms	EPA (sq ft)	Wt. (lbs)
KA43-A-T-1-FL	Tenon	1	1.57	17.1
KA43-A-T-2-FL	Tenon	2	2.18	22.5



Tenon Mount Single Arm



Tenon Mount Double Arm



Tenon Mounting Details