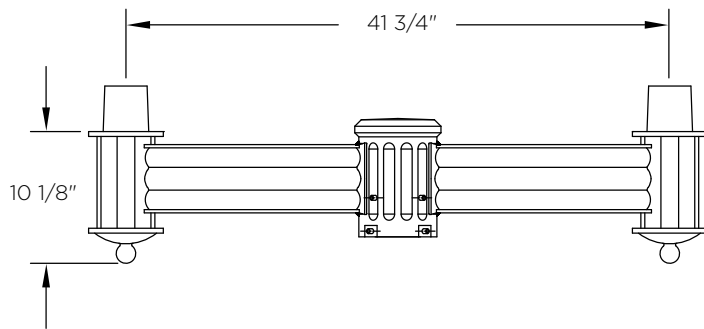


KA28 // VERMONTVILLE ARM

DECORATIVE ARM



The King Luminaire KA28 Vermontville Arm simple twin arm with an understated presence. Available in a tenon mount twin arm configuration, the KA28 is an ideal style for any situation.

ARM SPECIFICATIONS

MATERIAL:

Aluminum

MOUNTING TYPE:

Tenon

Arm Dimensions

41 3/4"L x 10 1/8"

FINISH:

Available in textured or smooth.

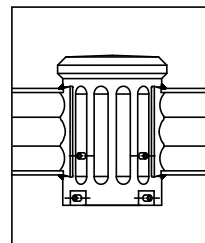
EPA

2.77 sq. ft.

WEIGHT

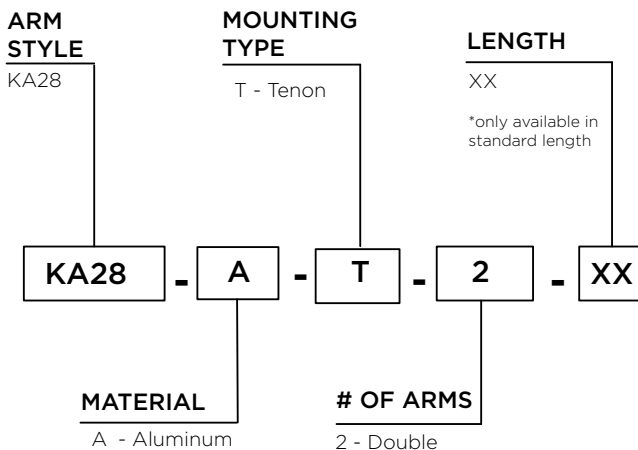
38 lbs

MOUNTING DETAILS:



Tenon Mount Details
TO ACCEPT 3 1/2" DIAMETER
X 4"L TENON

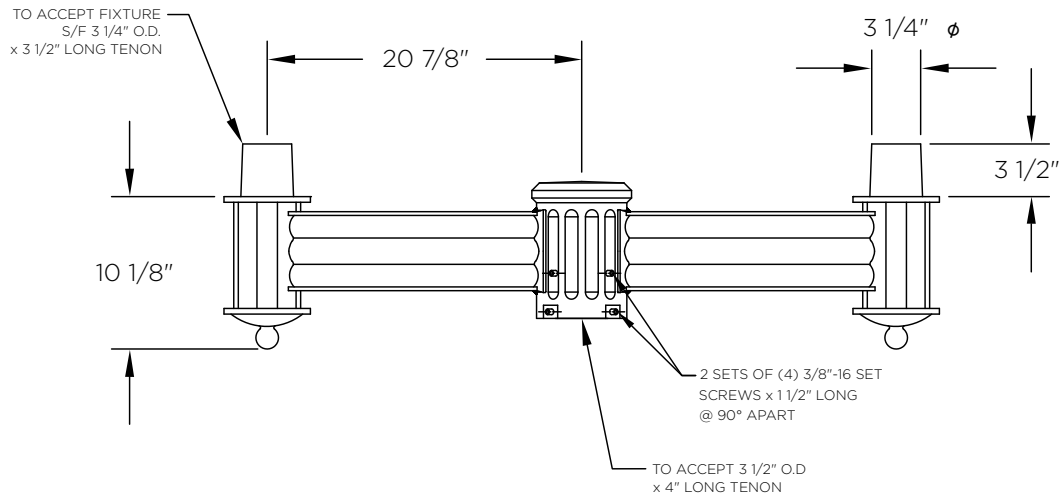
HOW TO ORDER



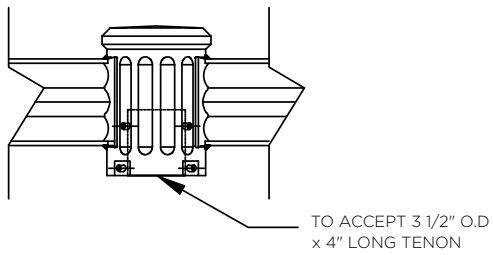
EPA & WEIGHT

Catalog Number	Mount Type	# of Arms	EPA (sq ft)	Wt. (lbs)
KA28-A-T-2-XX	Tenon	2	2.77	38

Tenon Mount Twin Arm



Tenon Mounting Details



Top View of Tenon

